



# VC-5F, VC-8F and VC-12F



## MODULAR HOT-RUNNER TEMPERATURE CONTROL MAINFRAME SYSTEM

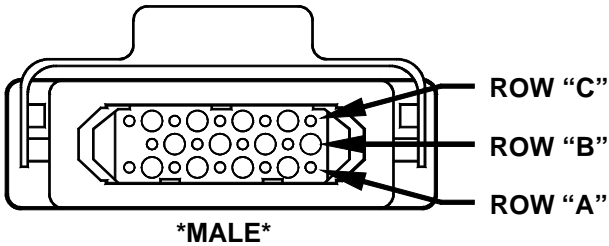
### WIRING INFORMATION



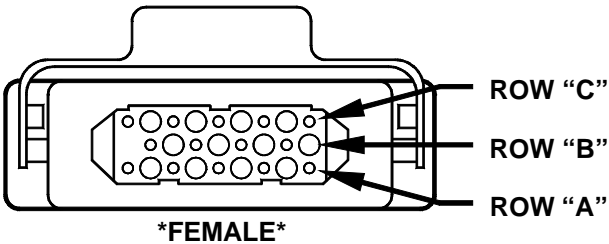
# STANDARD MAINFRAME CONNECTOR WIRING DIAGRAM

## SIDE OF MAINFRAME

### THERMOCOUPLE INPUT CONNECTOR

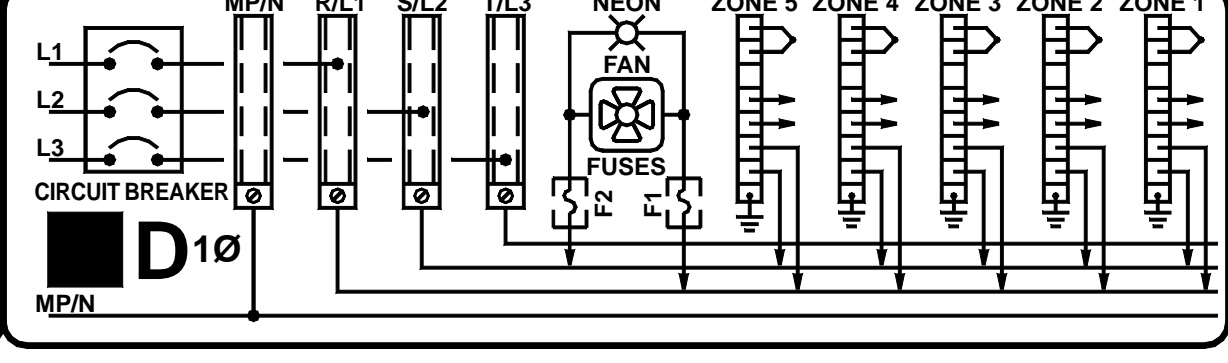
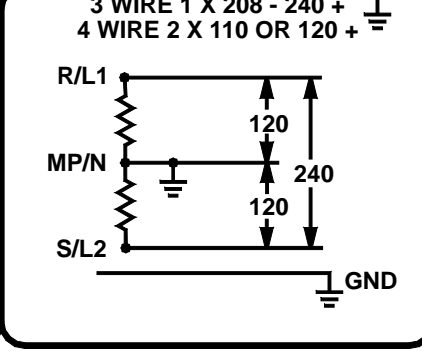
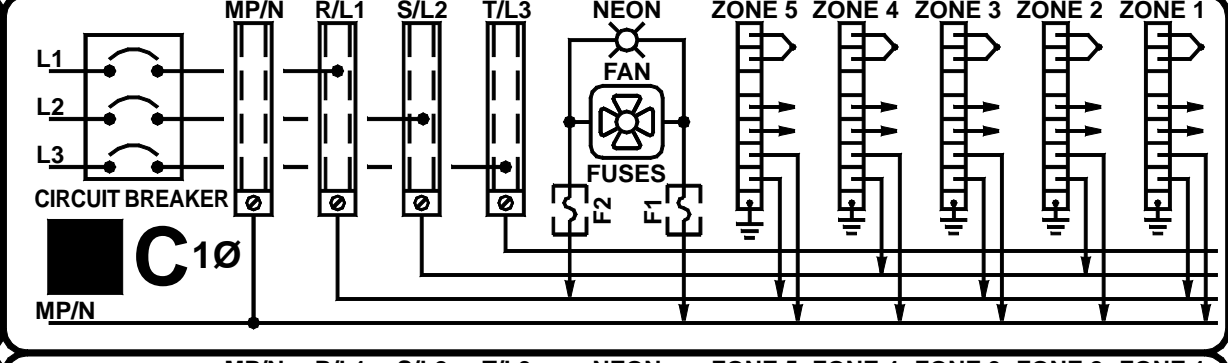
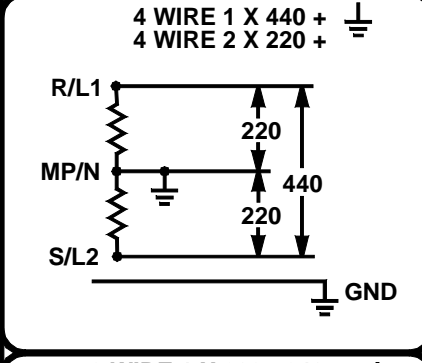
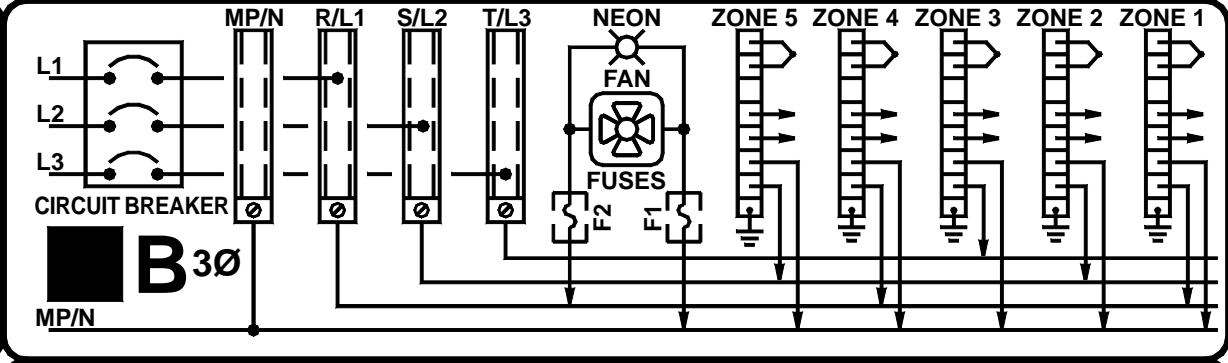
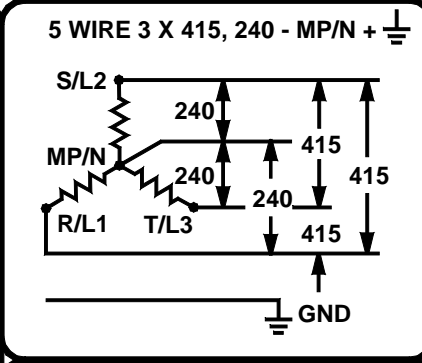
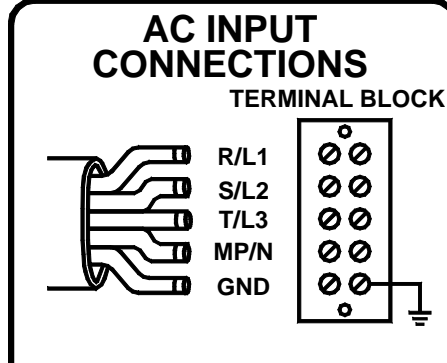
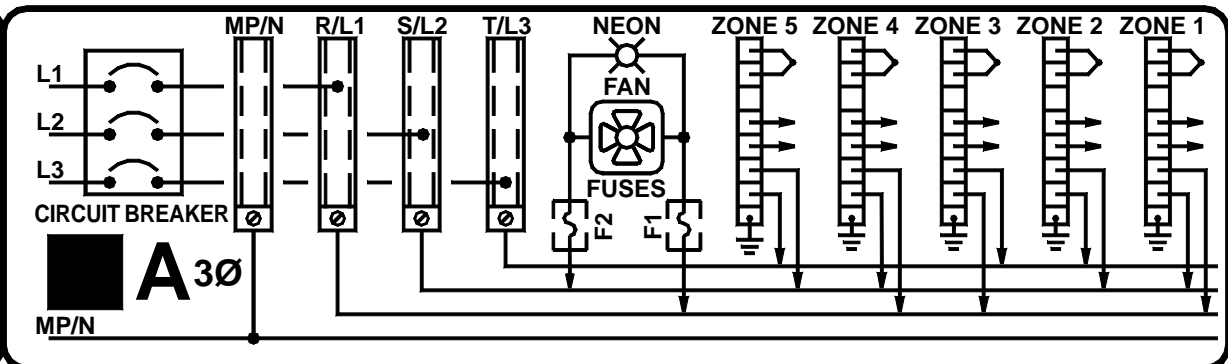
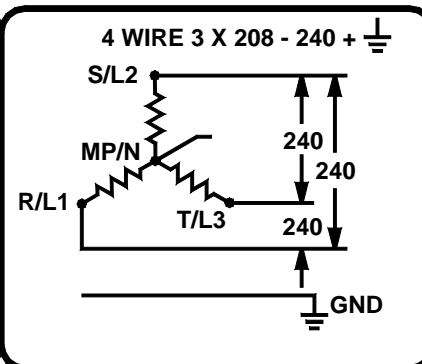
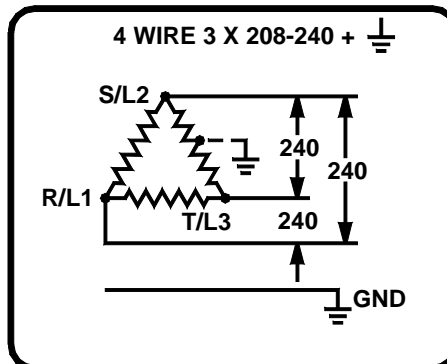


### POWER OUTPUT CONNECTOR



THERMOCOUPLE INPUT	
ZONE 1	ROW "A" TERMINALS 1 (WHT) + 2 (RED)
ZONE 2	ROW "A" TERMINALS 3 (WHT) + 4 (RED)
ZONE 3	ROW "A" TERMINALS 5 (WHT) + 6 (RED)
ZONE 4	ROW "A" TERMINALS 7 (WHT) + 8 (RED)
ZONE 5	ROW "B" TERMINALS 2 (WHT) + 3 (RED)
ZONE 6	ROW "B" TERMINALS 4 (WHT) + 5 (RED)
ZONE 7	ROW "B" TERMINALS 6 (WHT) + 7 (RED)
ZONE 8	ROW "C" TERMINALS 1 (WHT) + 2 (RED)
ZONE 9	ROW "C" TERMINALS 3 (WHT) + 4 (RED)
ZONE 10	ROW "C" TERMINALS 5 (WHT) + 6 (RED)
ZONE 11	ROW "C" TERMINALS 7 (WHT) + 8 (RED)
ZONE 12	ROW "A" TERMINAL 9 (WHT) + ROW "C" TERMINAL 9 (RED)
ROW "B" TERMINAL 8 IS NOT USED	

POWER OUTPUT	
ZONE 1	ROW "A" TERMINAL 1 + 2
ZONE 2	ROW "A" TERMINAL 3 + 4
ZONE 3	ROW "A" TERMINAL 5 + 6
ZONE 4	ROW "A" TERMINAL 7 + 8
ZONE 5	ROW "B" TERMINAL 2 + 3
ZONE 6	ROW "B" TERMINAL 4 + 5
ZONE 7	ROW "B" TERMINAL 6 + 7
ZONE 8	ROW "C" TERMINAL 1 + 2
ZONE 9	ROW "C" TERMINAL 3 + 4
ZONE 10	ROW "C" TERMINAL 5 + 6
ZONE 11	ROW "C" TERMINAL 7 + 8
ZONE 12	ROW "A" + "C" TERMINAL 9
ROW "B" TERMINAL 8 IS NOT USED	



**DANGER!**  
HIGH VOLTAGE CIRCUITS  
DISCONNECT POWER BEFORE  
REMOVING THIS PANEL

**DANGER!**  
COUPEZ LE COURANT AVANT  
DE DEMONTER CE PANNEAU

**ACHTUNG!**  
GERÄT STROMLOS MACHEN  
DANN ERST RÜCKWAND ABNEHMEN

**ATTENZIONE!**  
TOGLIERE LA CORRENTE PRIMA  
DI APRIRE LO SPORTELLINO

**PELIGRO!**  
DESCONECTE FUERSA DE  
ABASTECIMIENTO ANTES DE  
REMOVER PANEL

## MAINFRAME WIRING CONFIGURATIONS

**A:** 3 PHASE, 4 WIRE - 208-240 VAC (Primarily North America)

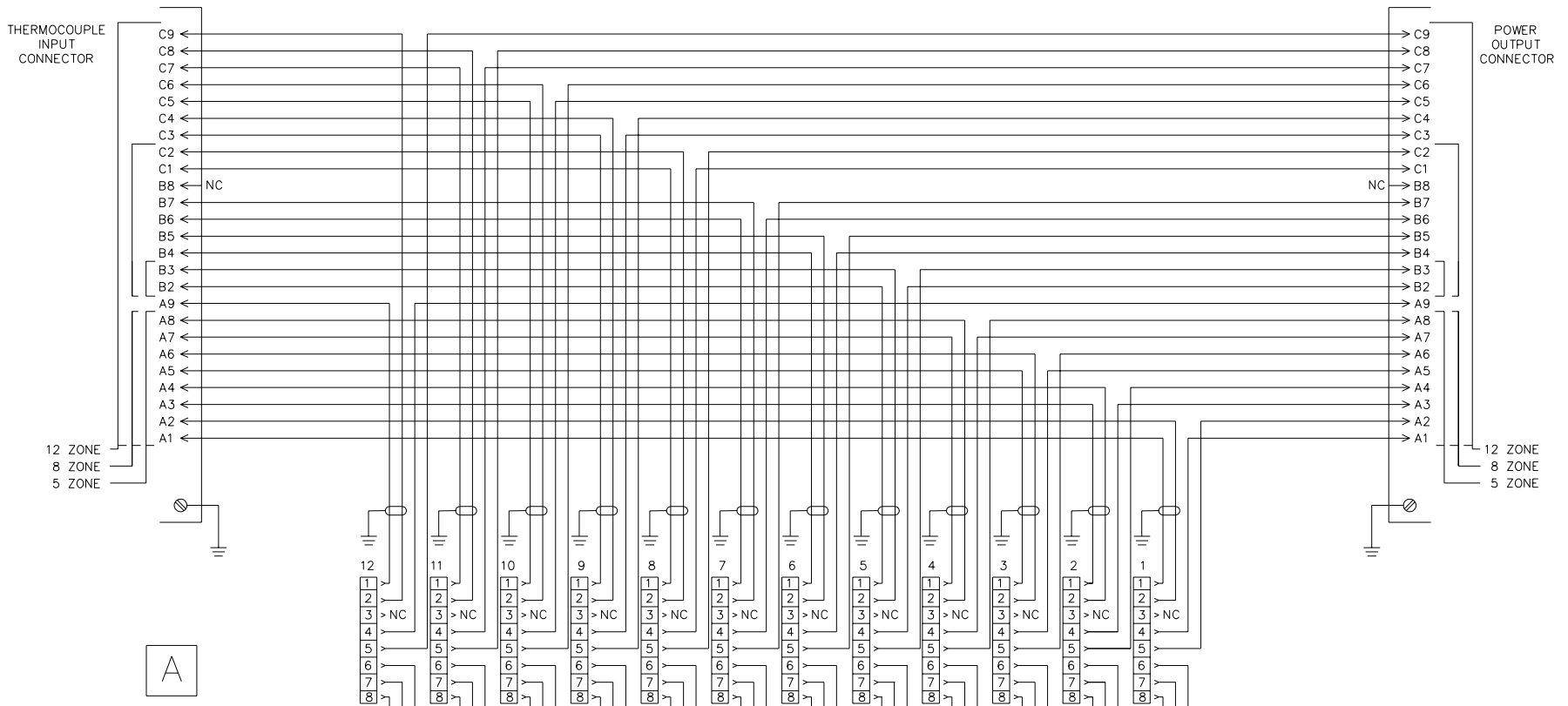
**B:** 3 PHASE, 5 WIRE - 380-415 VAC (Primarily Continental Europe)

**C:** 1 PHASE, 4 WIRE - 440 VAC

**D:** 1 PHASE, 3 WIRE - 208-240 VAC (Standard Single Phase Configuration - North America or Continental Europe)

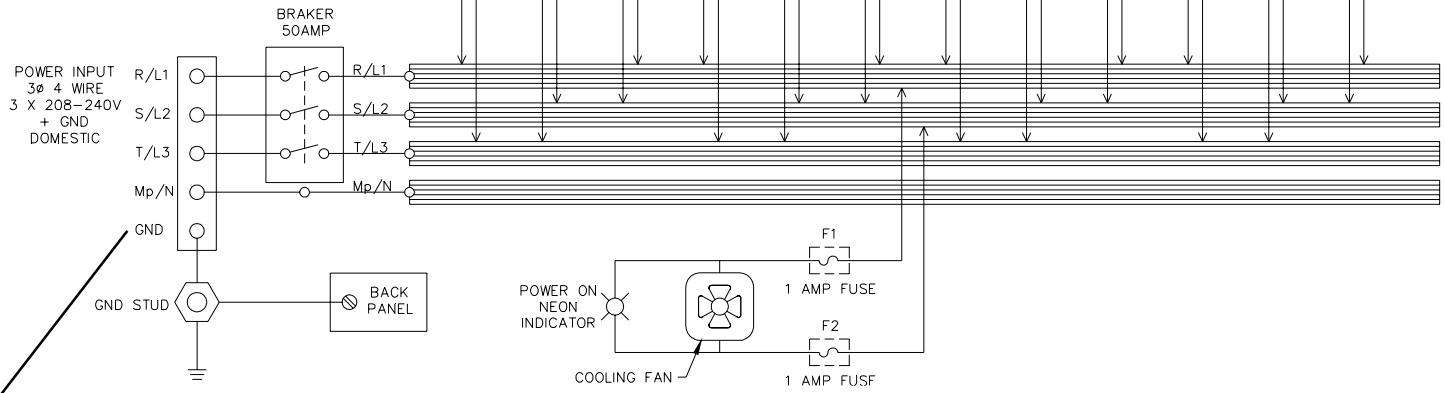
**THERMOCOUPLE INPUT  
COMMON TO ALL CONFIGURATIONS**

**MOLD POWER OUTPUT  
COMMON TO ALL CONFIGURATIONS**



A

**NORTH AMERICA STANDARD  
3 PHASE DELTA PRIMARY**

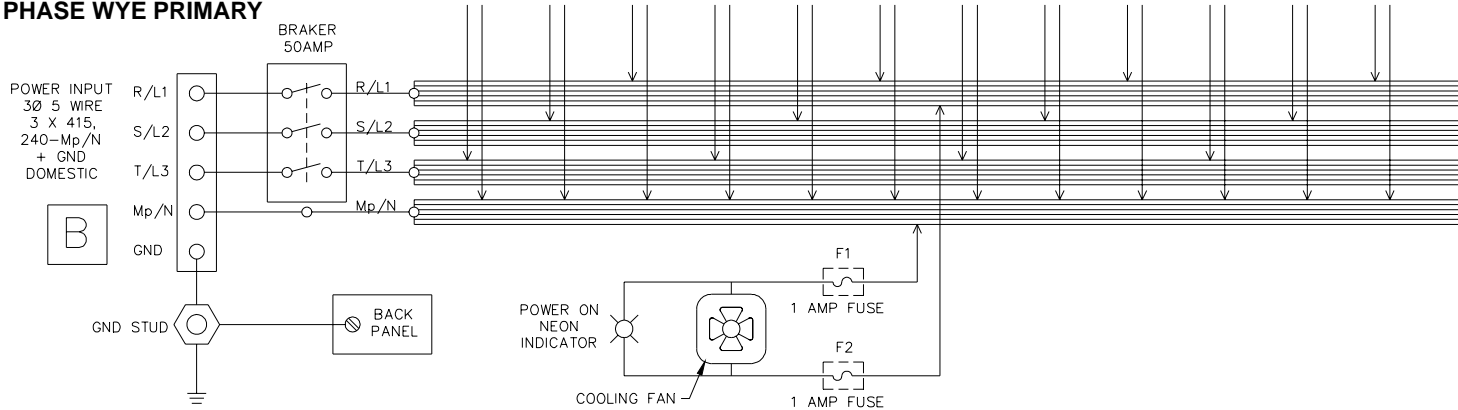


**NOTE: CUSTOMER MUST INSURE OF PROPER  
CONNECTION TO EARTH GROUND!**

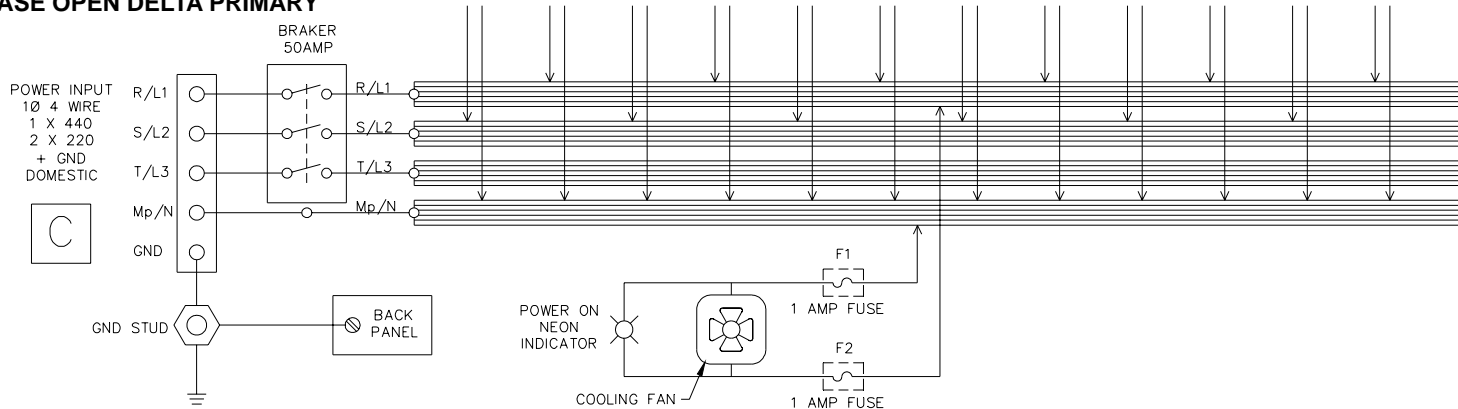


**STANDARD MAINFRAME  
INTERNAL WIRING DIAGRAM  
STANDARD CONFIGURATION - STYLE "A"**

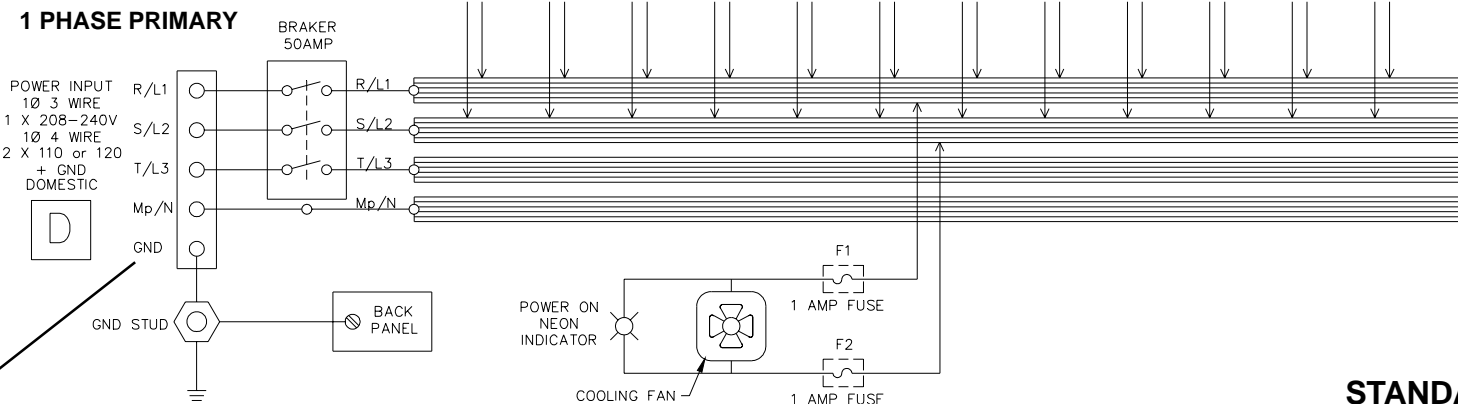
**EUROPEAN STANDARD  
3 PHASE WYE PRIMARY**



**1 PHASE OPEN DELTA PRIMARY**



**NORTH AMERICA ALTERNATE  
1 PHASE PRIMARY**

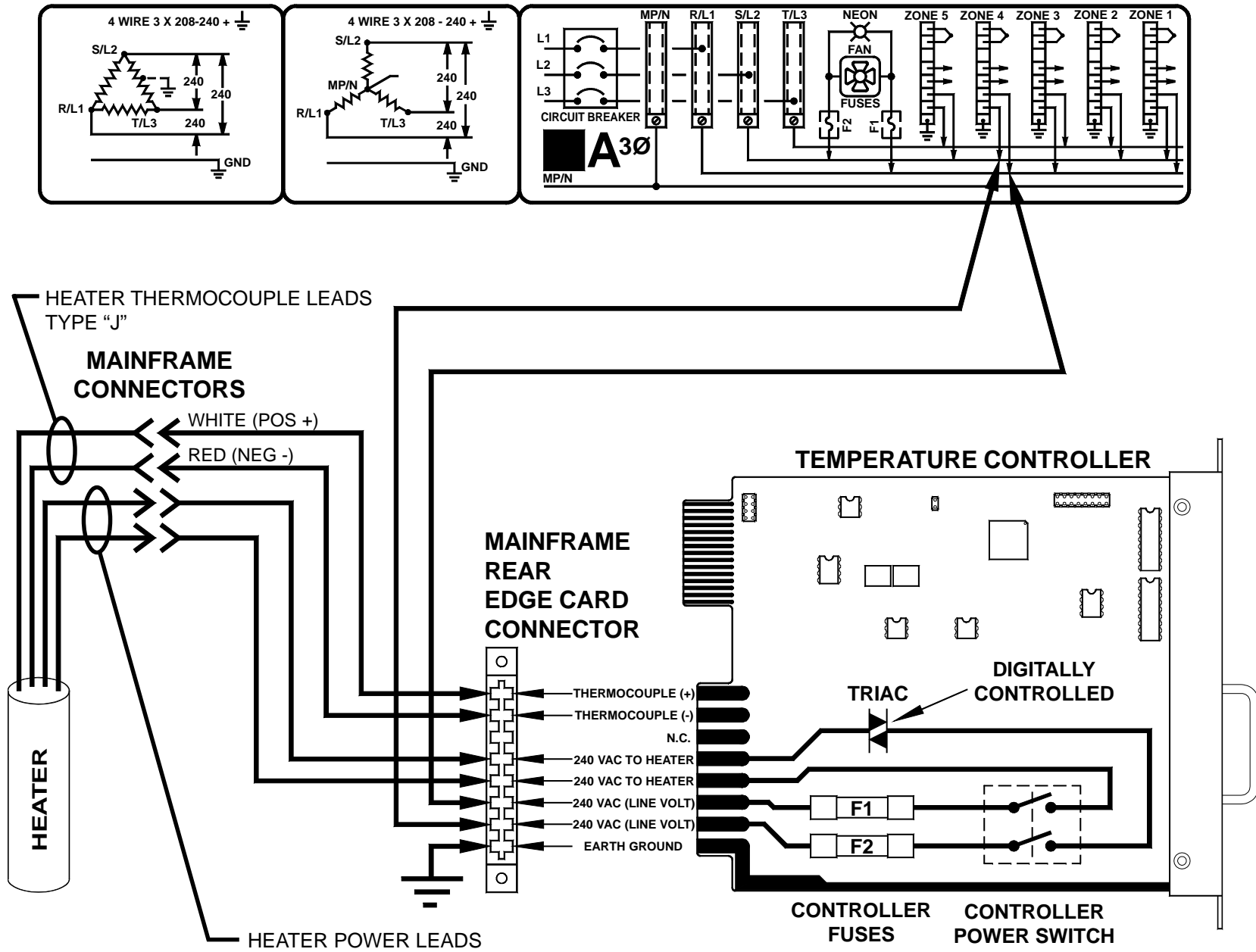


**NOTE: CUSTOMER MUST INSURE OF PROPER  
CONNECTION TO EARTH GROUND!  
\*\* ALL WIRING CONFIGURATIONS \*\***

**\*\* ALTERNATE CONFIGURATIONS - STYLES "B", "C" & "D" \*\***



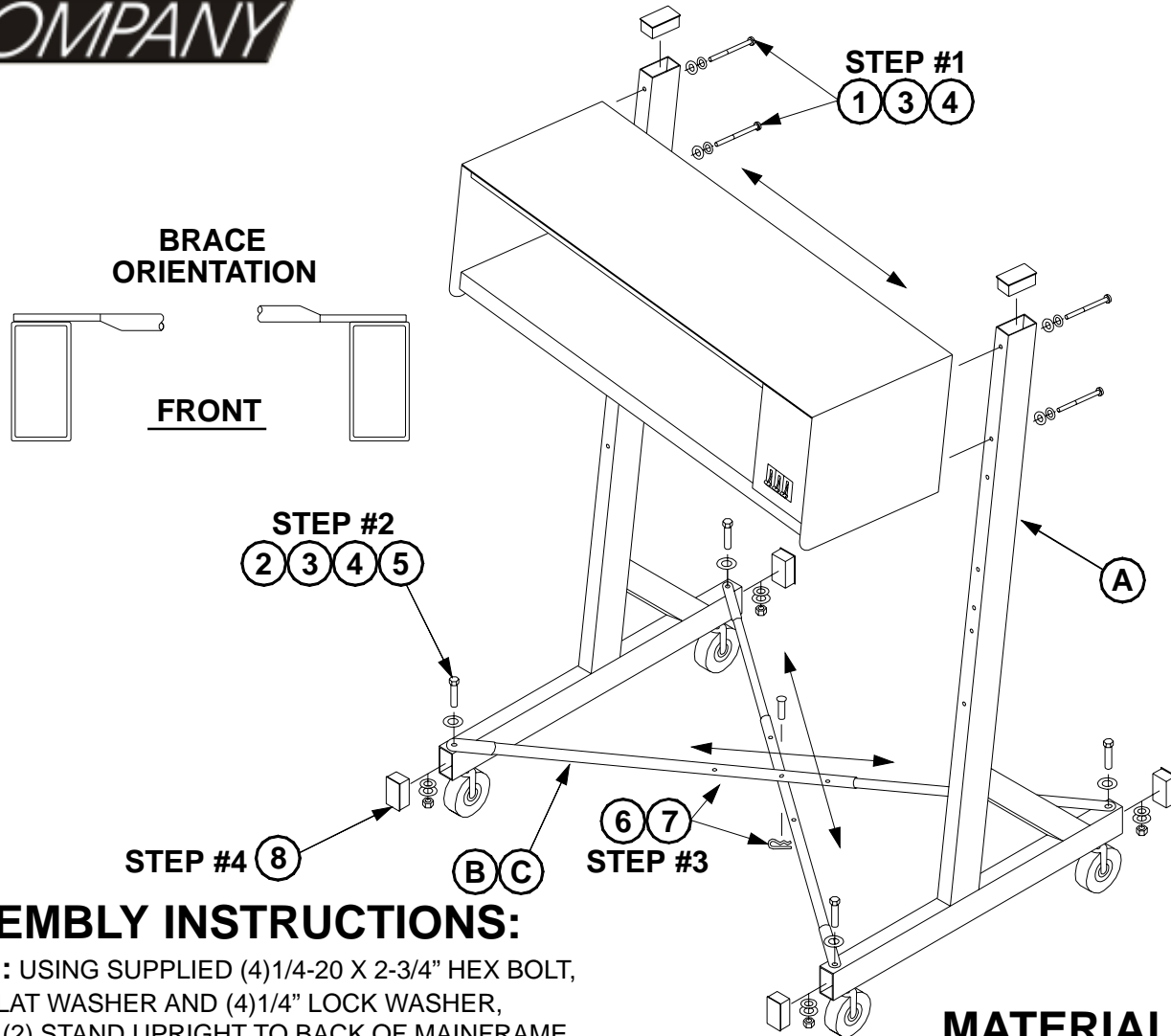
**STANDARD MAINFRAME  
INTERNAL WIRING DIAGRAM**





# VC-FS MAINFRAME STAND

## ASSEMBLY PROCEDURE & LIST OF MATERIAL



### ASSEMBLY INSTRUCTIONS:

**STEP 1:** USING SUPPLIED (4) 1/4-20 X 2-3/4" HEX BOLT, (4) 1/4" FLAT WASHER AND (4) 1/4" LOCK WASHER, ATTACH (2) STAND UPRIGHT TO BACK OF MAINFRAME THREADED HOLES AS SHOWN.

**\*DO NOT FULLY TIGHTEN BOLTS AT THIS TIME\***

**STEP 2:** USING SUPPLIED (4) 1/4-20 X 1" HEX BOLT, (8) 1/4" FLAT WASHER, (4) 1/4" LOCK WASHER AND (4) 1/4-20 HEX NUT, ATTACH CROSS BRACE INNER AND OUTER SLEEVE ASSEMBLIES TO THE UPRIGHTS AS SHOWN. THE BRACE ASSEMBLY "TELESCOPES" TO THE APPROPRIATE LENGTH BY ALLOWING THE INNER SLEEVE TO SLIDE INTO AND OUT OF THE OUTER SLEEVE.

**\*DO NOT FULLY TIGHTEN BOLTS AT THIS TIME\***

**STEP 3:** ADJUST SQUARENESS OF UPRIGHT AND FRAME ASSEMBLY BY ADJUSTING THE CROSS BRACE ASSEMBLY LENGTH. ONCE SQUARE THE (4) CENTER CROSS BRACE HOLES WILL LINE UP. USE THE SUPPLIED 1/4 X 1-1/2" CLEVIS PIN AND HITCH PIN TO SECURE CROSS BRACES.

**NOW COMPLETE FULL TIGHTENING OF ALL BOLTS.**

**STEP 4:** INSTALL SUPPLIED (6) 1" X 2" PLASTIC CAPS INTO STAND UPRIGHT TUBE ENDS. (IT MAY BE NECESSARY TO USE A RUBBER Mallet TO DRIVE THE CAPS INTO PLACE).

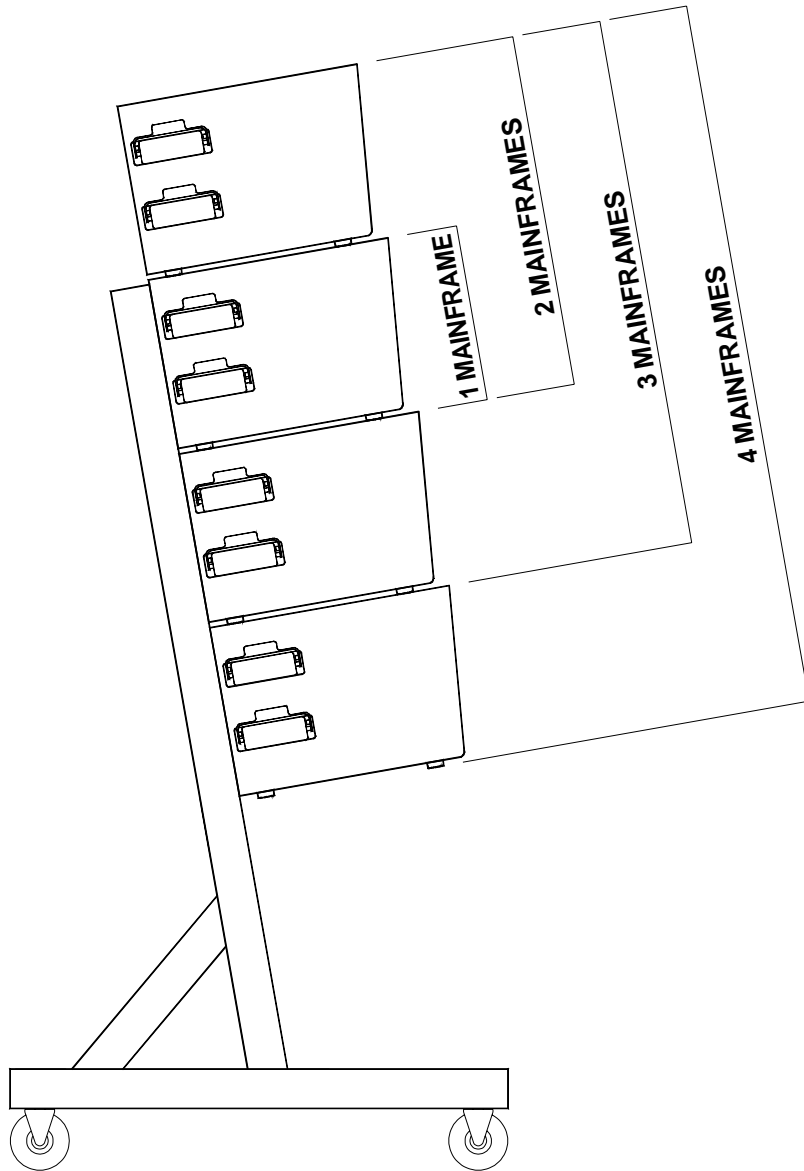
### MATERIAL LIST

DES	DESCRIPTION	QTY
A	STAND UPRIGHT	2
B	CROSS BRACE - OUTER SLEEVE	2
C	CROSS BRACE - INNER SLEEVE	2
1	1/4-20 X 2-3/4" LONG HEX BOLT	4
2	1/4-20 X 1" LONG HEX BOLT	4
3	1/4 FLAT WASHER	12
4	1/4 SLIT LOCK WASHER	8
5	1/4-20 HEX NUT	4
6	1/4 X 1-1/2" CLEVIS PIN	1
7	#213-P HITCH PIN	1
8	1" X 2" PLASTIC CAP - BLACK	6



# VC-FS MAINFRAME STAND

## MAINFRAME & STACKED MAINFRAME ORIENTATION



### **NOTICE!!**

**WHEN MOUNTING MULTIPLE MAINFRAMES IT IS CRITICAL THAT THE MAINFRAMES BE POSITIONED ON THE MAINFRAME STAND AS DETAILED!!**

**MOUNTING MAINFRAMES IN A MANNER OTHER THAN THAT SPECIFIED WILL CAUSE UNEVEN WEIGHT DISTRIBUTION AND WILL MAKE THE ASSEMBLY UNSTABLE. THIS MAY LEAD TO OPERATOR INJURY AND EQUIPMENT DAMAGE!!**

### **SAFETY WARNING!!**

